



INSTALLATION INSTRUCTIONS

Accessory

DOOR EDGE FILM
P/N 08P20-TX6-200

Application

2013 ILX

Publications No.

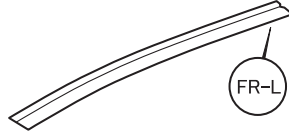
BII 13538

Issue Date

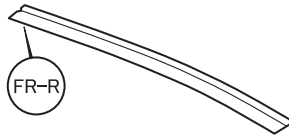
MAY 2012

PARTS LIST

Left front door edge film (marked FR-L)



Right front door edge film (marked FR-R)



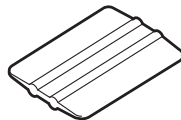
Left rear door edge film (marked RR-L)



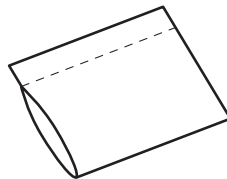
Right rear door edge film (marked RR-R)



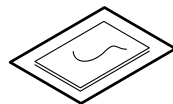
Applicator



Soft sleeve



2 Alcohol wipes



TOOLS AND SUPPLIES REQUIRED

Shop towel

Spray bottle

3M Protective tape application solution

Ruler

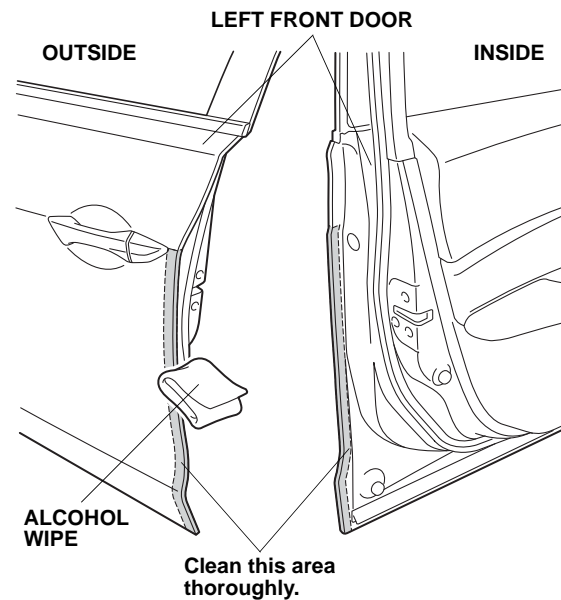
INSTALLATION

NOTE:

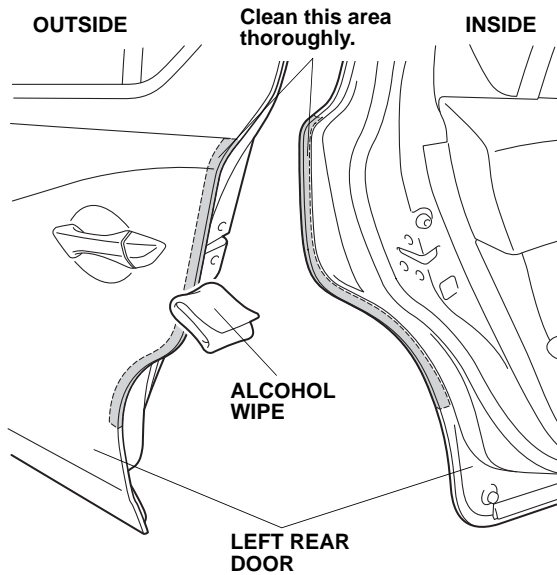
- If you are also installing body side moldings (sold separately), install the door edge film first.
- These instructions show the left door edge film being installed. The same procedure applies to installing the right door edge film.
- Identify each door edge film by referring to the identification marks.
- Be careful not to damage the paint finish.
- This door edge film kit should be installed only if the ambient air temperature is 15°C (60°F) or above.
- To allow the adhesive to cure, do not wash the vehicle for 24 hours. Please advise the client.

1. Open the left front door and left rear door. Using one alcohol wipe, thoroughly clean the areas where the left door edge film will attach.

LEFT FRONT DOOR

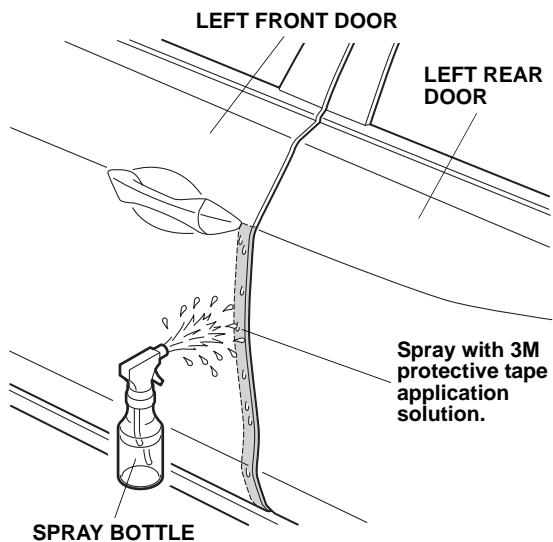


LEFT REAR DOOR

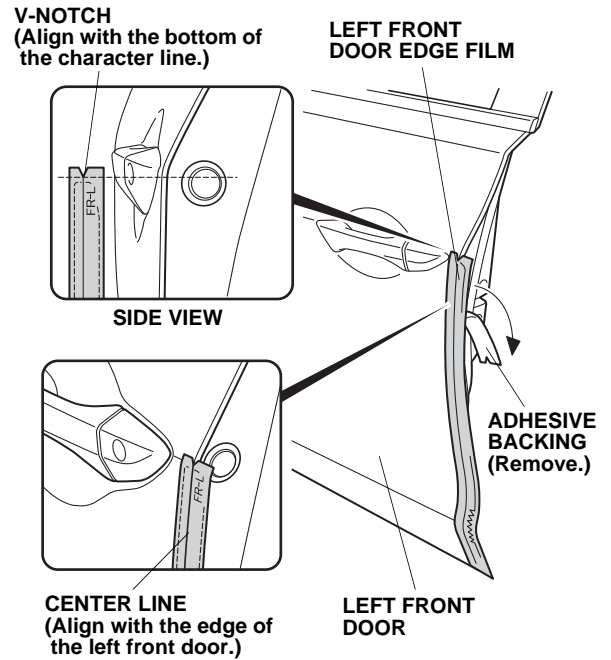


2. Close the left front door and left rear door. Using a spray bottle with 3M protective tape application solution, spray the area where the left front door edge film will attach.

NOTE: Spray the outer surface of the door only.

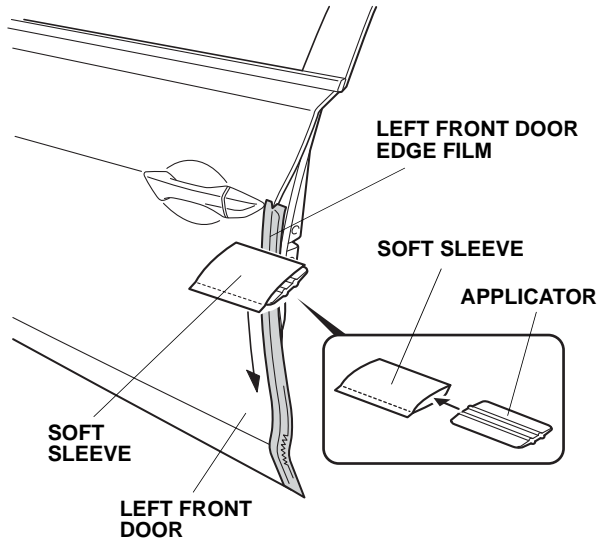


3. Open the left front door. Peel back about 50 mm (2.0 in.) of adhesive backing from the left front door edge film. Align the V-notch with the bottom of the character line on the left front door as shown.

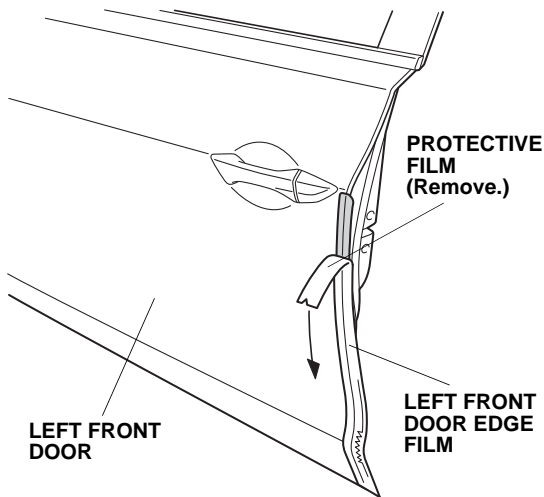


4. Align the center line on the left front door edge film with the edge of the left front door. While applying light pressure, carefully remove the adhesive backing, and attach the left front door edge film to the left front door.

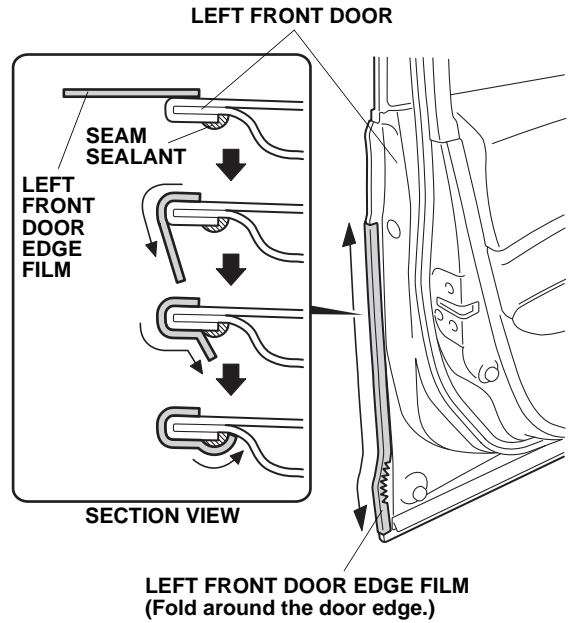
5. Insert the applicator into the soft sleeve. Starting from the top and working downward, use the soft sleeve to smooth the left front door edge film. Move the soft sleeve in one direction only.



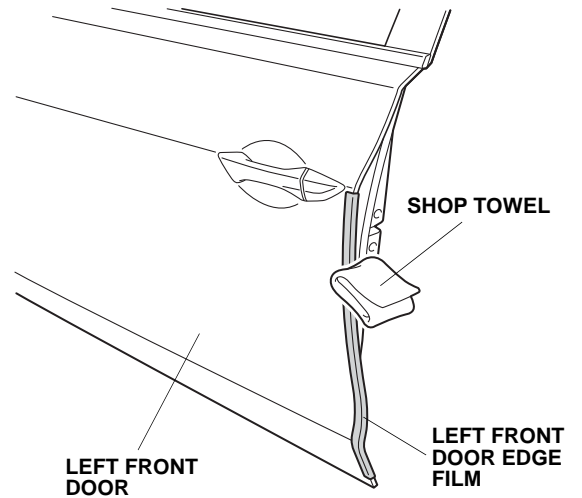
6. Slowly remove the protective film from the left front door edge film.



7. Starting from the center and working outward, use your fingers to fold the left front door edge film around the edge of the left front door. Move your fingers in one direction. Attach the door edge film over the seam sealant. Do not trim or damage the seam sealant.

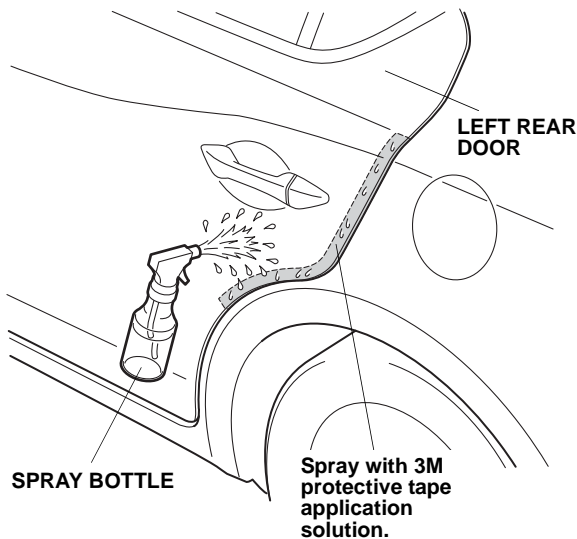


8. Using a shop towel, wipe the excess 3M protective tape application solution from the left front door edge film. Allow the left front door edge film to dry thoroughly.

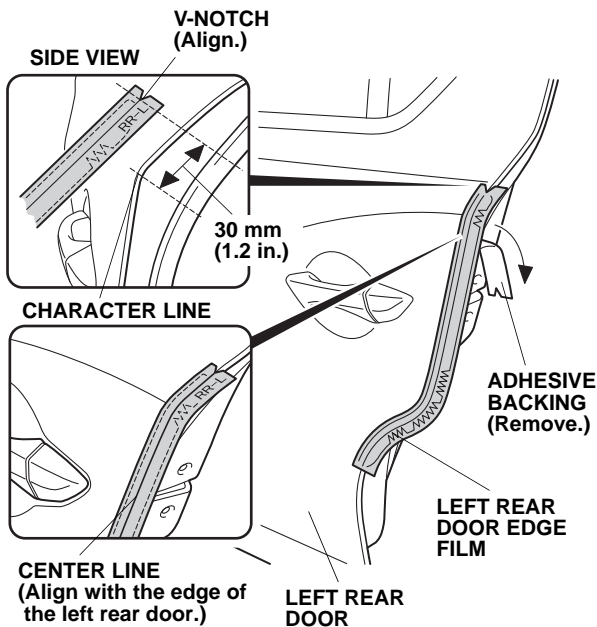


9. Spray the area where the left rear door edge film will attach with the 3M protective tape application solution.

NOTE: Spray the outer surface of the door only.

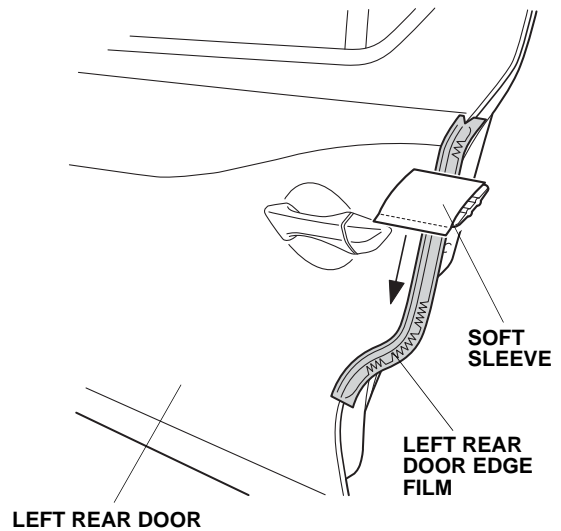


10. Open the left rear door. Peel back about 50 mm (2.0 in.) of adhesive backing from the left rear door edge film. Align the V-notch 30 mm (1.2 in.) above the character line on the upper part of the left rear door as shown.

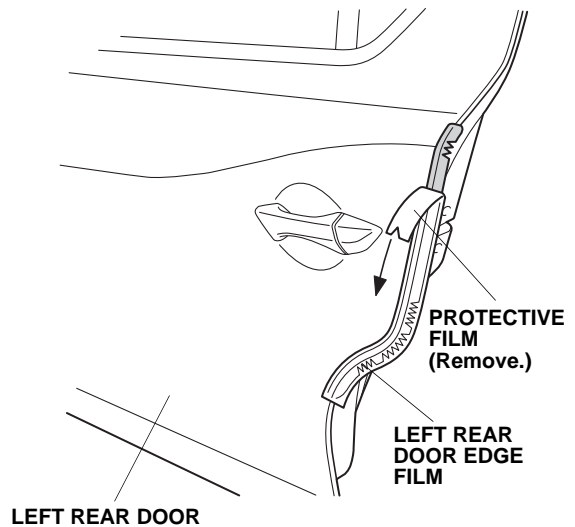


11. Align the center line on the left rear door edge film with the edge of the left rear door. While applying light pressure, carefully remove the adhesive backing, and attach the left rear door edge film to the left rear door.

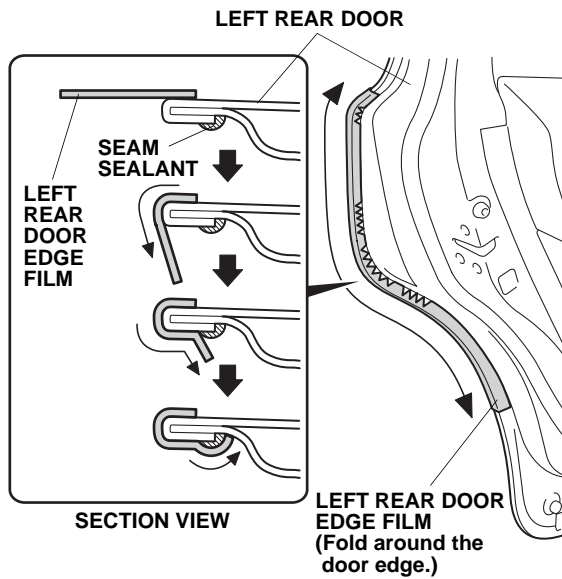
12. Starting from the top and working downward, use the soft sleeve to smooth the left rear door edge film. Move the soft sleeve in one direction only.



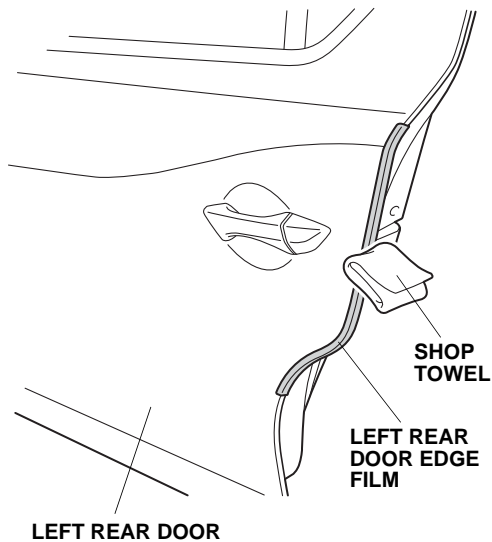
13. Slowly remove the protective film from the left rear door edge film.



14. Starting from the center and working outward, use your fingers to fold the left rear door edge film around the edge of the left rear door. Move your fingers in one direction. Attach the film over the seam sealant. Do not trim or damage the seam sealant.



15. Using a shop towel, wipe the excess 3M protective tape application solution from the left rear door edge film. Allow the left rear door edge film to dry thoroughly.



16. Repeat steps 1 through 15 to install the right door edge films.